

Transmitter

LED		SHORT LONG	Failure Analysis	Solution
STATUS	LED red	LED green		
	●●●●●		-Corrosion on the battery terminals. -Low battery. -Damage batteries.	-Clean the battery terminals. -Replace the batteries.
		●●●●●	-Transmitter is not communicating with the receiver.	-Check the power supply of the receiver. -Check the fuse in the receiver
	—●●		-Push button damaged.	-Contact the dealers.
	—●●●		-RF error	-Check the antenna and make sure it is not loose. -Change a new RF module. -Contact dealer
	●●●●●		-G-force Exceeded	-Re-Start System

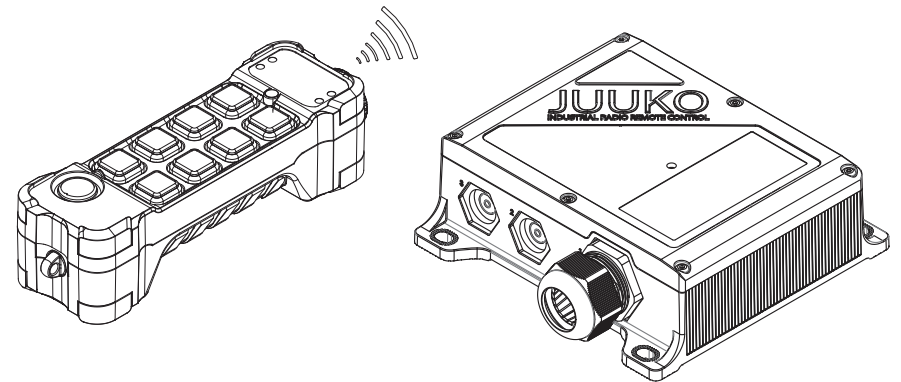
Receiver

Should an error occur, the LED of the receiver will indicate the cause.

LED		SHORT LONG	Failure Analysis	Solution
STATUS	LED red	LED green		
	—●●●		-RF error	-Check the antenna and make sure it is not loose. -Change a new RF module. -Contact dealer
			-Receiver is not powered.	-Check the fuse. -Check the power supply.
		—	The receiver is receiving data.	

 Radio remote control system
 BASIC INSTALLATION INSTRUCTIONS

[NC2 / NC2Q]

 K202 Plus Series
 K404 Plus Series
 K606 Plus Series
 K806 Plus Series
 K808 Plus Series

 [HS] (NC2/NC2Q)
 915MHZ

 complies with
UL 61010-1
 CAN/CSA C22.2

Contents	2
Guarantee, service, repairs and maintenance	
Chapter1: Customer information	3
General Informarion on Safety	
Chapter2: General description	4
General description	
END USER INSTRUCTIONS	
Chapter 3: Receiver	6
INSTRUCTION GUIDE	8
Chapter 4: Wiring Diagram	
Chapter 5: Troubleshooting	12

Guarantee, service, repairs and maintenance

JUUKO industrial radio remote control. products are covered by a guarantee/ warranty gainstmaterial, construction and manufacturing defects. During the guarantee/warrantyperiod, JUUKO may replace the product or faulty parts. Work underguaraantee/warranty must be carried out by JUUKO industrial radio remote control.

The following are NOT covered by the guarantee / warranty:

The following are NOT covered by the guarantee / warranty:

- Faults resulting from normal wear and tear.
- Parts of a consumable narure such as pushbuttons, relays,fuses etc.
- Products that have been subject to unauthorized modifications.
- Faults resulting from incorrect installation and use.
- Condensation and water damage.

Maintenance:

- Repairs and maintenance must be carried out by qualified personnel.
- Use spare parts from JUUKO industrial radio remote control.
- Contact your representative if you require service or other assistance.
- Keep the product in a dry, clean place.
- Keep contacts and antennas clean.
- Wipe off dust using a slightly damp, clean cloth.

INTENDED USE

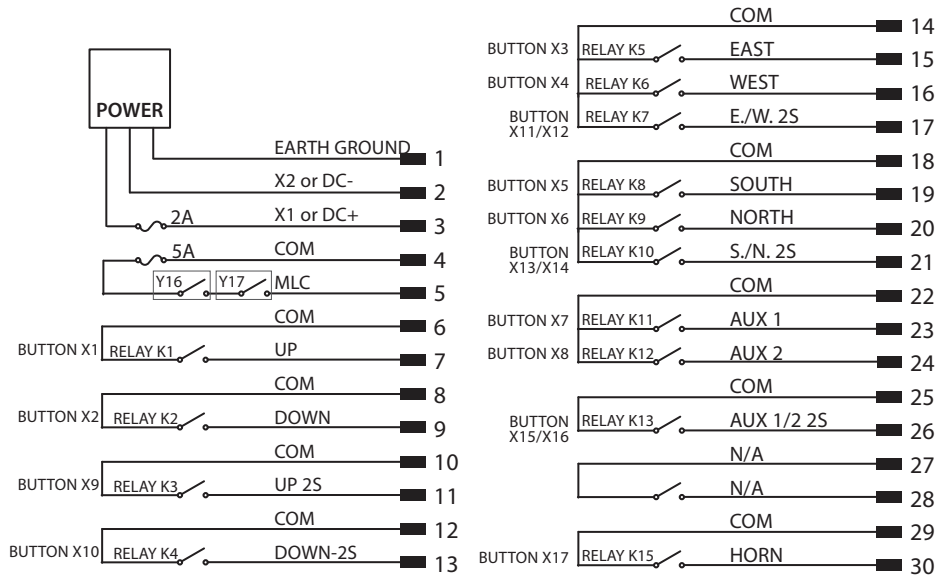
The HS and HM Receiving units are intended as the control unit interface for the Radio Remote Control for Hoists, Cranes, Monorail and Material Handling equipment.

OPERATING METHODS

The receiving unit accepts signals from the Radio Transmitter and processes them to open or close specific relays for Hoist, Trolley, Bridge and various auxiliary functions.

Memo:

K808 Plus



Memo:

Thank you for purchasing a JUUKO industrial radio remote control.

READ ALL INSTRUCTIONS CAREFULLY BEFORE MOUNTING, INSTALLING AND CONFIGURATING THE PRODUCT.

This manual includes general information concerning the operation of the radio the operation of the radio remote control transmitter.

General Information on Safety

- Persons under the influence of drugs and/or alcohol and/or other medicine that impairs their reaction may not assemble, disassemble, install, put into operation, repair or operate the product.
- All conversions and modifications of an installation/system must conform to the relevant safety requirements. Work on the electrical equipment must be performed only by qualified, authorized personnel and in accordance with the relevant safety requirements.
- In the event of malfunctioning, visible defects or irregularities, the product must be stopped, switched off and the relevant master switches must be switched off.

Used Symbols and Definitions for Warnings	
	Warning against hazardous situation Do not use in high humidity and heavy dust environment. Protective pouch is highly suggested to use in high humidity and heavy dust environment. Avoid using in acid and alkali environment.
	Warning against electrical voltage

**FCC Part 15 FCC ID : TX-(RN489896162JK915S) / RX-(RN489896162JK915)
IC : TX-(10821A-89896162902) / RX-(10821A-89896162901)**

A user's manual for the finished product should include the following statement:

This equipment has been tested and found to comply with the limits for a Class B digital device, pursuant to part 15 of the FCC Rules. These limits are designed to provide reasonable protection against harmful interference in a residential installation. This equipment generates, uses and can radiate radio frequency energy, and if not installed and used in accordance with the instructions, may cause harmful interference to radio communications. However, there is no guarantee that interference will not occur in a particular installation. If this equipment does cause harmful interference to radio or television reception, which can be determined by turning the equipment off and on, the user is encouraged to try to correct the interference by one or more of the following measures:

- Reorient or relocate the receiving antenna.
- Increase the separation between the equipment and receiver.
- Connect the equipment into an outlet on a circuit different from that to which the receiver is connected
- Consult the dealer or an experienced radio/TV technician for help.

Additional information on labeling and user information requirements for Part 15 devices can be found in KDB Publication 784748 available at the FCC Office of Engineering and Technology (OET) Laboratory Division Knowledge Database (KDB)
<http://apps.fcc.gov/oetcf/kdb/index.cfm>.

European Union Regulatory Notice

This device bearing the CE marking is in compliance with the essential requirements and other relevant provisions of Directive 1999/5/EC. This device complies with the following harmonized European stand

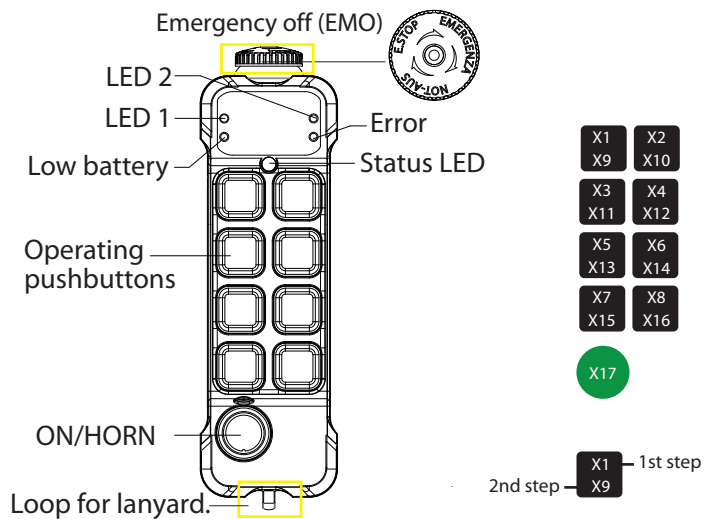
Safety: EN 60950-1:2006+A11:2009+A1:2010+A12:2011
EMC: ETSI EN30 1489-1 V1.9.2 2001-09; ETSI EN 301 489-3 V1.4.1 2002-08
Radio: ETSI EN 300 220-1 v2.4.1: 2012; ETSI EN 300 220-2 v2.4.1: 2012
The following CE marking is valid for EU harmonized tel

CE0560

IC Statement

This device complies with Industry Canada license-exempt RSS standard(s). Operation is subject to the following two conditions: (1) this device may not cause interference, and (2) this device must accept any interference, including interference that may cause undesired operation of the device.

The K Plus series transmitter comes in different versions, featuring 2, 4, 6, or 8 pushbuttons. The transmitter also features 2-step pushbuttons. Both steps of each pushbutton can operate different functions like controlling the speed of a movement, step 1: slow, step 2: fast.



Start/ Horn switch

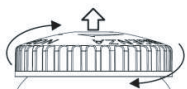
The K series transmitter has a Start/Horn pushbutton on the left side. The Start/Horn switch has 2 functions:

1. Press to Start.
2. Press for horn while operating.



Start the transmitter in operating mode

1. Turn to release the Emergency Off button.
2. Press the "START" button.



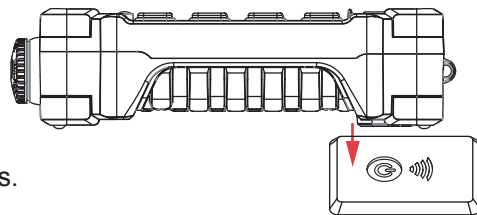
Turning the transmitter off

Turn the transmitter off by completely pressing the Emergency Off button. The transmitter turns off. All relays deactivate.

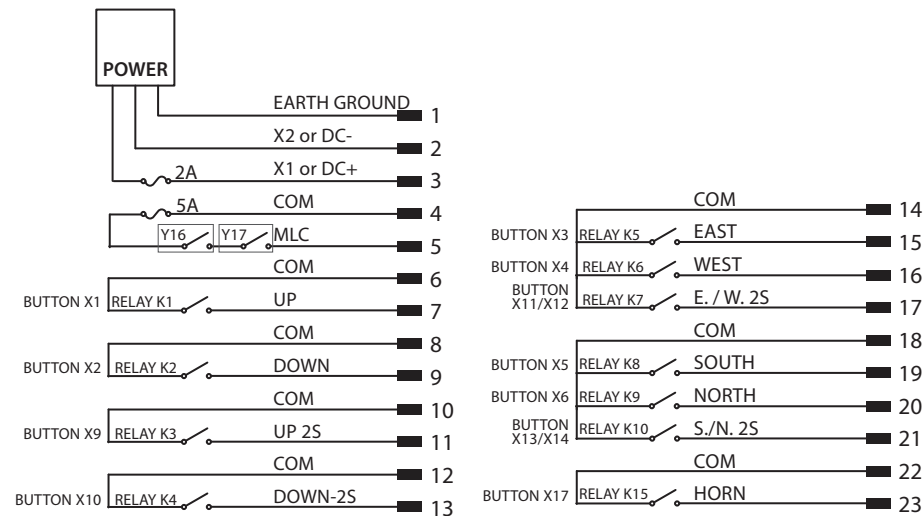


How to use Qi wireless charging

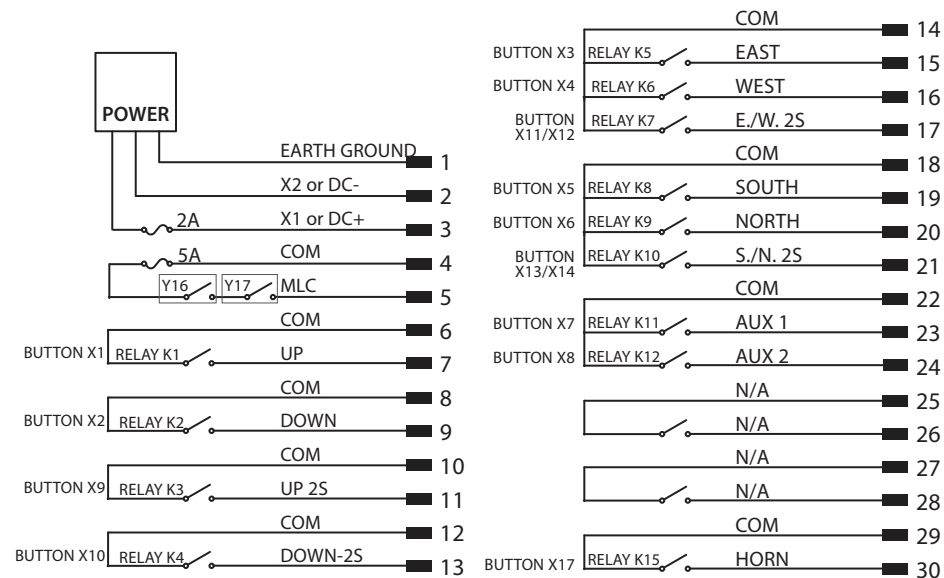
1. Turn the transmitter off by completely pressing the emergency off button.
2. Place the transmitter on top of the wireless charging pad. You'll hear a beep, the battery LED flash every 1 second. When it's finished charging the battery LED flash every 5 seconds.
3. Remove the transmitter from the pad.



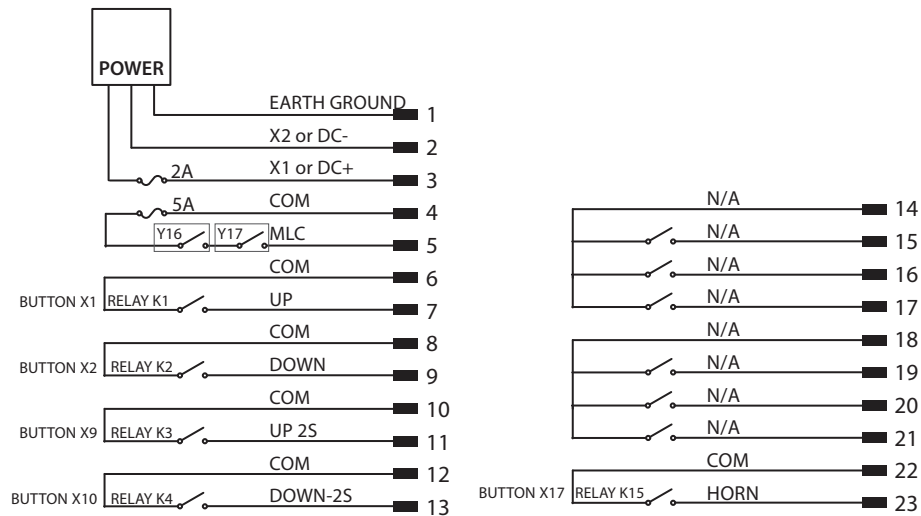
K606 Plus



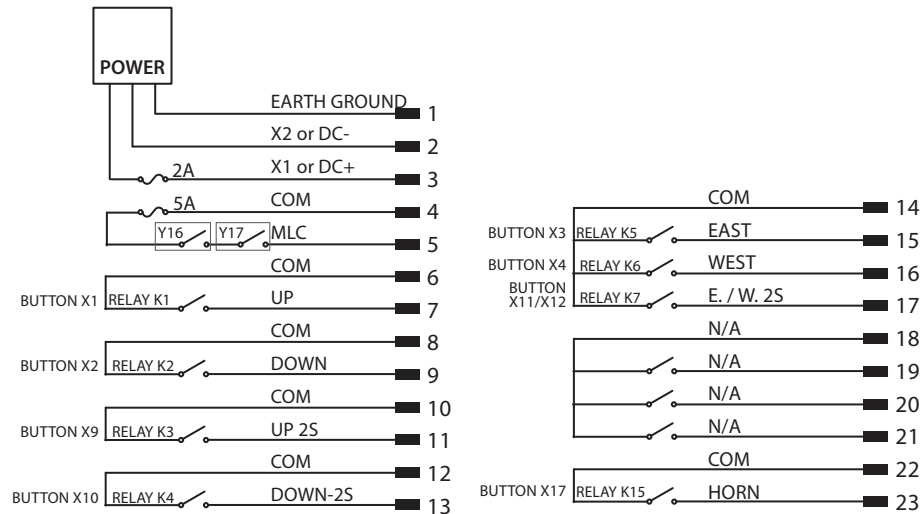
K806 Plus



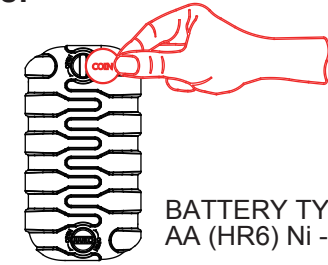
K202 Plus



K404 Plus

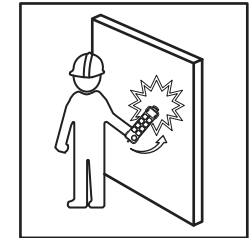
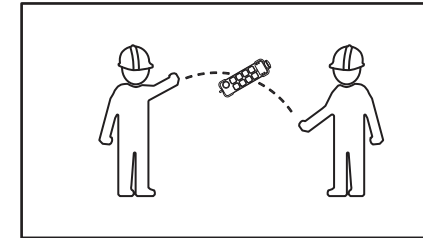
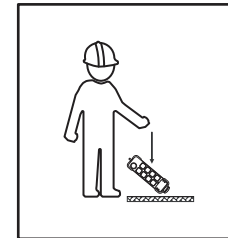


Changing the batteries:



BATTERY TYPE:
AA (HR6) Ni - MH x 2

Zero-G safety

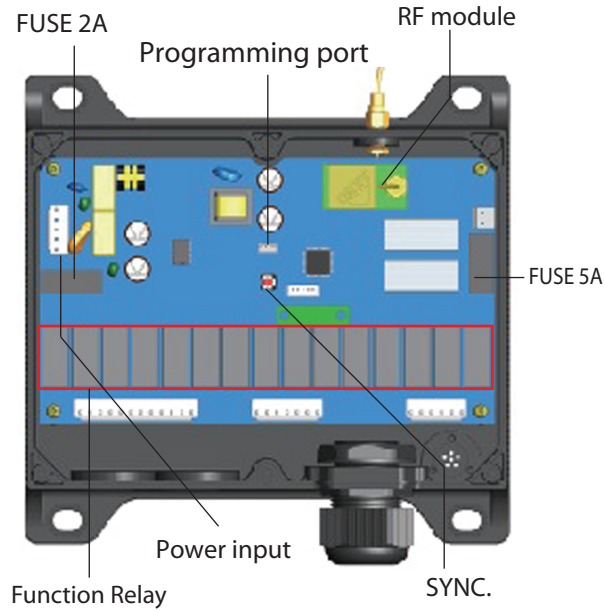


The zero-g safety function can prevent the uncontrolled output of commands in specific emergencies. The G sensor can detect if the transmitter receives a hard impact, dropped or thrown. These features can deactivate either the complete radio system or only the safety-relevant function relays. Alternatively, a pre-defined output (e.g. crane horn) can be triggered. Please contact your dealer for special settings.

Technical Data Transmitter

Frequency range	902.5 ~ 927.5MHz
Modulation method	2 GFSK
Typical operating range	300 feet
Control system	PLL (Phase Lock Loop)
Antenna impedance	50 ohms
Typical response time for commands	50ms ~ 100ms
Power supply	AA(HR6) Ni-MH x 2
Antenna	Internal
Average power consumption	38mA@2.5V dc(default setting)
Radio-frequency power	<15dBm (default setting)
Operating and storage temperature	(- 4°F) - (131°F) / (- 40°F) - (149°F)
Protection degree	IP65
Dimensions	188.5× 57.3 × 52.3mm (2-8 buttons)
Weight (including battery)	Approx. 11.46 ounces
Housing material	PA6(30% Glass Fiber)

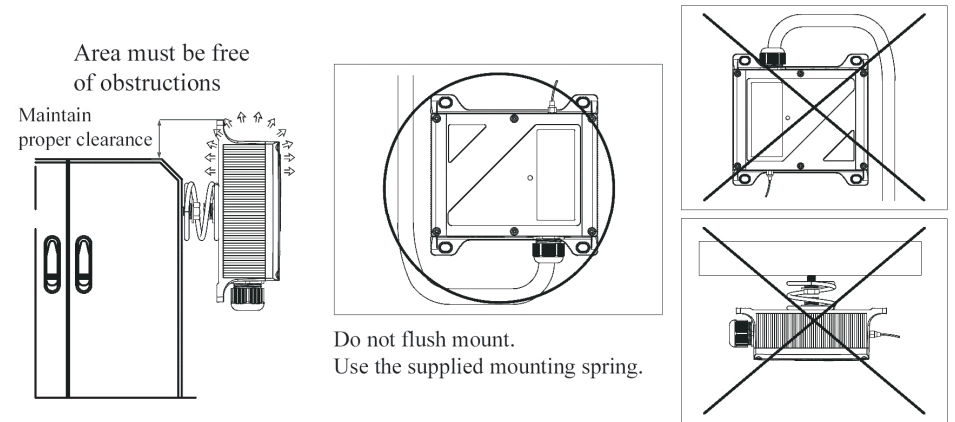
WARNING! The receiver must NOT be opened by any other than a qualified installer. Make sure to turn the electricity off before opening the receiver.



Technical Data

Frequency range	902.5 ~ 927.5 MHz
Modulation method	2 GFSK
Sensitivity	-112dBm@baud 1.2K bps
Control system	PLL
Antenna impedance	50 ohms
Typical response time for commands	50ms ~ 100ms
Input power(AC)	24 ~ 240V AC · 50/60Hz
Input power(DC)	24 ~ 160V DC
Power consumption	AC : 8.3W · DC : 12.8W
Power system	switching
Antenna	External
Standby power	0.97W
Operating temperature	(-20°C) - (+55°C)
Storage temperature	(-40°C) - (+70°C)
Dimensions	189.5 x 183.5 x 95.7(mm)
Weight	3.95Lbs.
Remote control channel	17
Housing material	PA6(30% Glass Filled)
Operation altitude	2000m

WARNING! DO NOT FLUSH MOUNT THE RECEIVING ASSEMBLY. PLEASE MAINTAIN PROPER CLEARANCE AS SHOWN. PLEASE USE THE SUPPLIED MOUNT!



Receiver Dimensions (Not to scale)

